
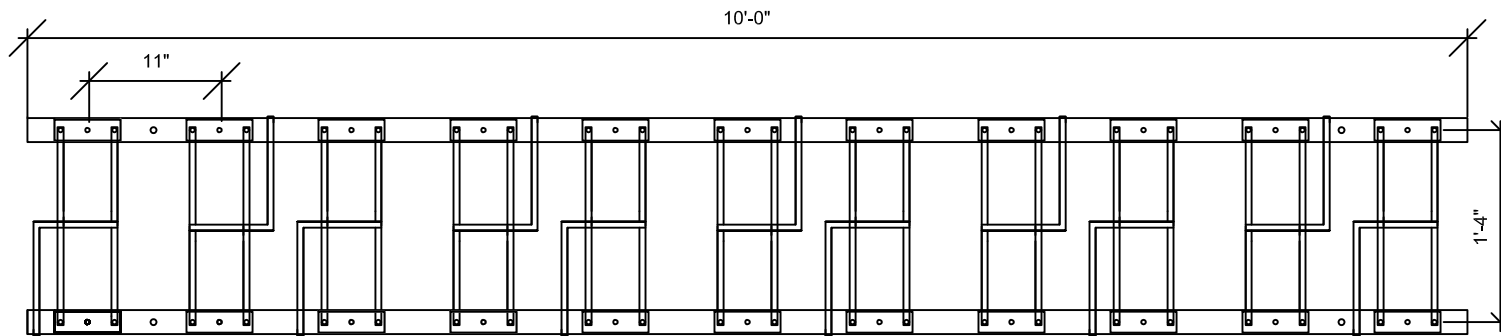
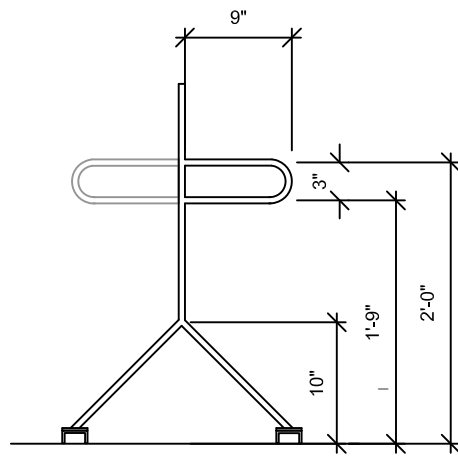


UW SINGLE-SIDED "DUCKBILL" BIKE RACK

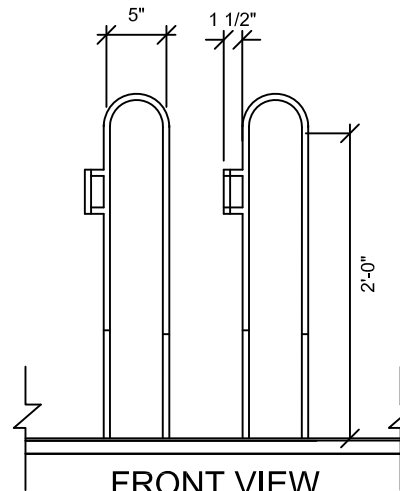
 THE UNIVERSITY WISCONSIN <small>MADISON</small>	Project: UW Bike Rack Detail	Designed By: UW-Madison	Date: 7-17-2012	
	Drawing Title: Single Sided Bike Rack	Drawn By: ZJS	Scale: 1"=1'-0"	
	Building No.: N/A	O.S.M.:	Revision:	Date:
	File: L:\ACAD\PLANNING\Details, Title Blocks, Blocks\Details\Bicycle Racks-Double duckbill			
FACILITIES PLANNING AND MANAGEMENT Campus Planning & Landscape Architecture	Suite 930 WARF 610 Walnut Street Madison, Wisconsin 53726		Sheet: L-1 Of: 2	



PLAN VIEW




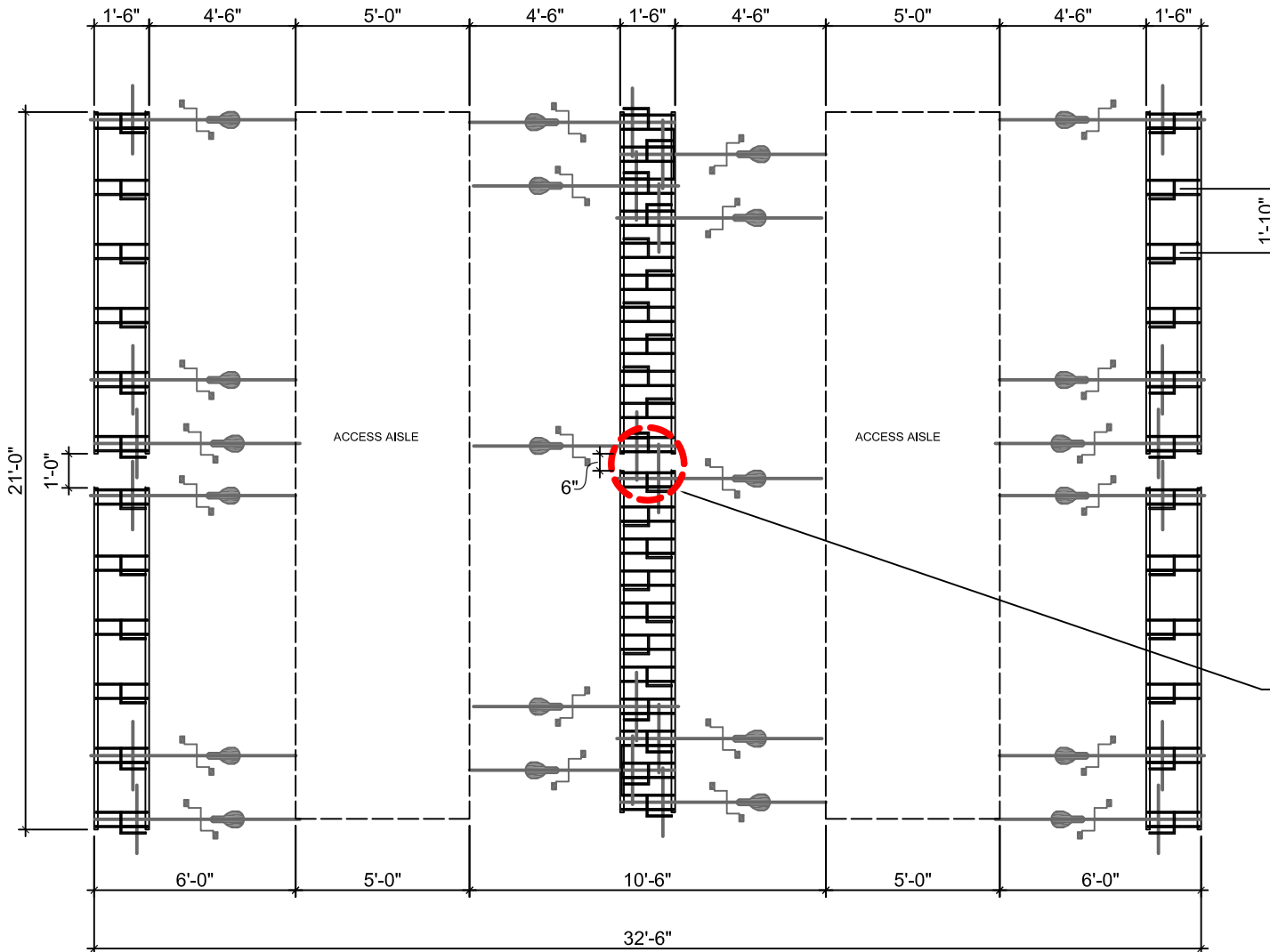
SIDE VIEW



FRONT VIEW


UW DOUBLE-SIDED "DUCKBILL" BIKE RACK

 <p>THE UNIVERSITY WISCONSIN MADISON</p>	Project: UW Bike Rack Detail	Designed By: UW-Madison	Date: 7-17-2012	
	Drawing Title: Double Sided Bike Rack	Drawn By: ZJS	Scale: 1"=1'-0"	
	Building No.: N/A	O.S.M.:	Revision:	Date:
	File: L:\ACAD\PLANNING\Details, Title Blocks, Blocks\Details\Bicycle Racks-Double duckbill			
FACILITIES PLANNING AND MANAGEMENT Campus Planning & Landscape Architecture	Suite 930 WARF 610 Walnut Street Madison, Wisconsin 53726		Sheet: L-2 Of: 2	



Notes:

1. See UW-Madison Technical Guidelines, Division 12 93 13 Bike Racks, for more information regarding campus standards for bike racks.

 WISCONSIN MADISON	Project: DUCKBILL BIKERACK LAYOUT		Designed By: CS	Date: 1-16-2013	
	Drawing Title: LAYOUT STANDARDS		Drawn By: JTW	Scale: 1" = 5' - 0"	
	Building No.: N/A		Revision:	Date:	Sheet: L-1
	File: L:\ACAD\PLANNING\Details, Title Blocks\Details\Bicycle Racks\Duckbill Bikerack Layout.dwg				
	FACILITIES PLANNING AND MANAGEMENT Campus Planning & Landscape Architecture		Suite 930 WARF 610 Walnut Street Madison, Wisconsin 53726		Of: 1