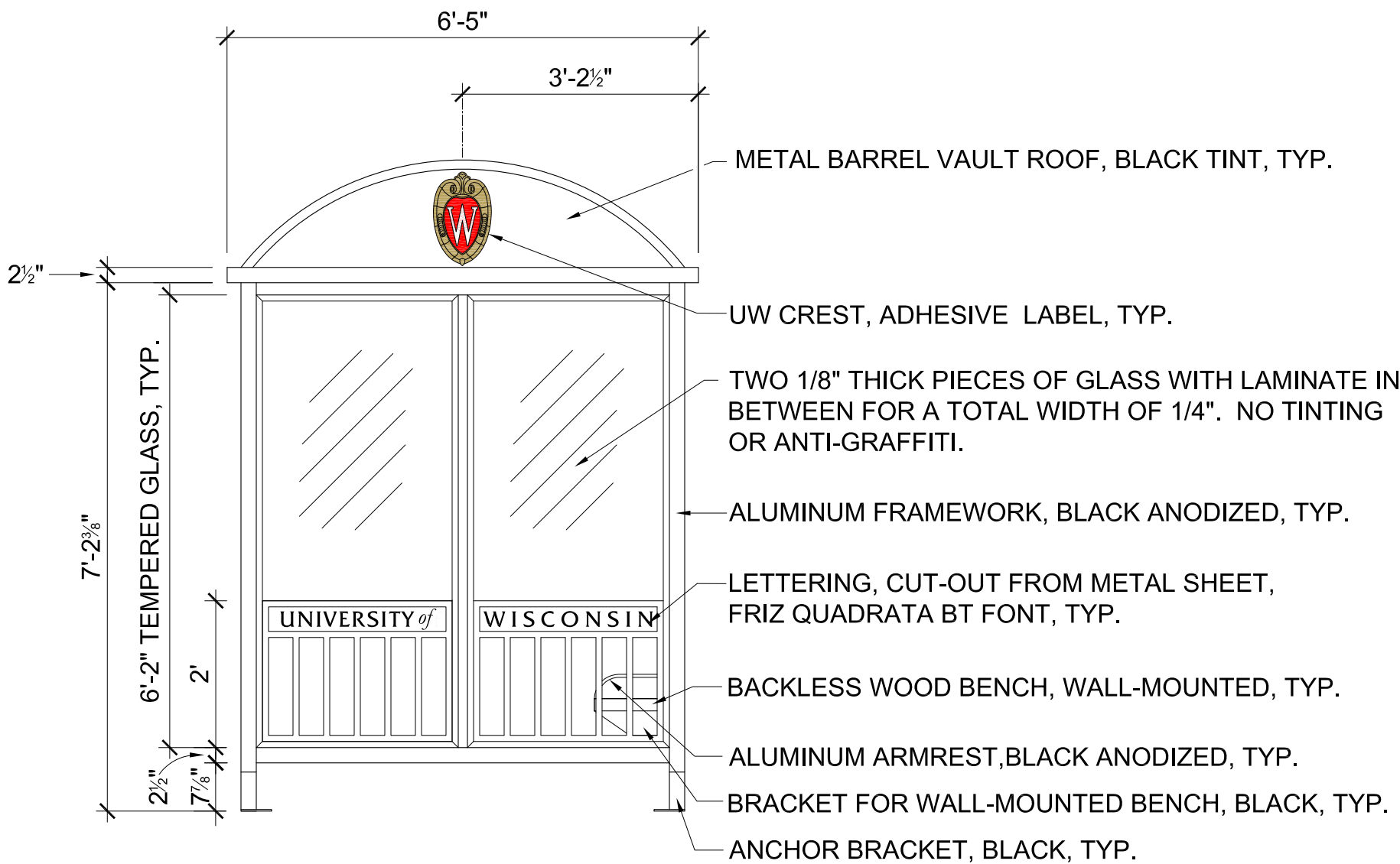



SIDE ELEVATION





THE UNIVERSITY
WISCONSIN
MADISON

FACILITIES PLANNING AND MANAGEMENT
Campus Planning & Landscape Architecture

Suite 930 WARF
610 Walnut Street
Madison, Wisconsin 53726

Project: UNIVERSITY OF WISCONSIN-MADISON BUS SHELTER	Drawing Title: BUS SHELTER DETAIL SET
Date: 02-10-08	Building No.:
Designed By:	Drawn By: TAP
<small>File Location: L:\ACAD\PLANNING\Special Project Sites\UW-Madison Bus Stop Shelter\Campus Standard Bus Shelter Details.dwg</small>	

Revision No.	Date	By
1	3-3-08	TAP
2	8-6-12	KJY
3	1-11-13	KJY

O.S.M. No.	Date	By

Scale: ½" = 1'-0"

Sheet:
L-2

Of: 2

ALUMINUM FRAMEWORK,
BLACK ANODIZED, TYP.

BRACKET FOR WALL-
MOUNTED BENCH, TYP.

TWO 1/8" THICK PIECES OF
GLASS WITH LAMINATE IN
BETWEEN FOR A TOTAL
WIDTH OF 1/4". NO TINTING
OR ANTI-GRAFFITI.

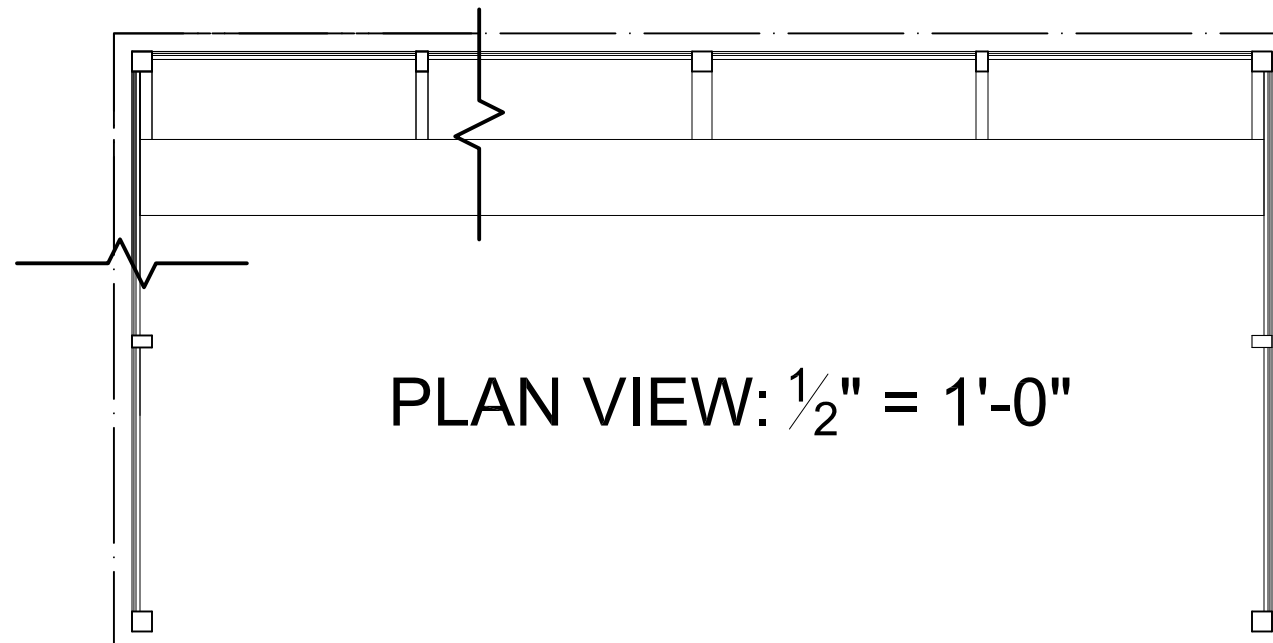
ALUMINUM GRILLWORK,
BLACK ANODIZED,
1/2" THICK, TYP.

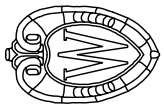
1/4" GAP BETWEEN GLASS
AND GRILLWORK

ROOF

BACKLESS WOOD BENCH

PLAN VIEW ENLARGEMENT: 2" = 1'-0"





THE UNIVERSITY
WISCONSIN
MADISON

FACILITIES PLANNING AND MANAGEMENT
Campus Planning & Landscape Architecture

Suite 930 WARF
610 Walnut Street
Madison, Wisconsin 53726

Project: UNIVERSITY OF WISCONSIN-MADISON BUS SHELTER	Drawing Title: BUS SHELTER DETAIL SET	File Location: L:\ACAD\PLANNING\Special Project Sites\UW-Madison Bus Stop Shelter\Campus Standard Bus Shelter Details.dwg
Date: 02-10-08	Building No.:	
Designed By:	Drawn By: TAP	
Revision No.	Date	By
1	3-3-08	TAP
2	8-6-12	KJY
3	1-11-13	KJY
O.S.M. No.	Date	By
Scale:		
Sheet:		L-3
Of:		3